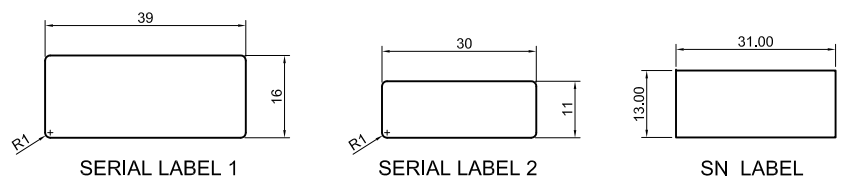
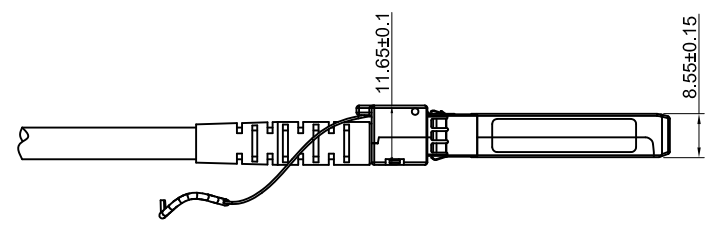
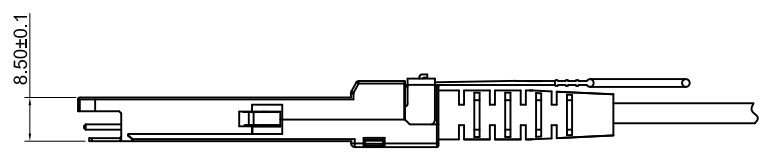
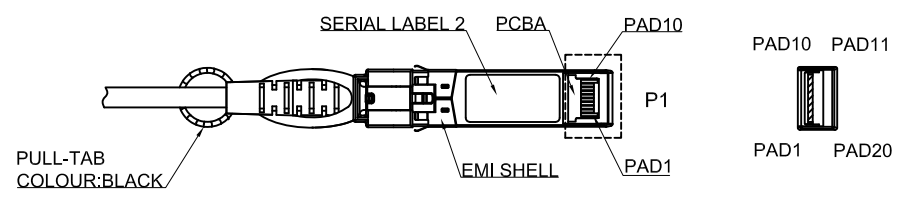
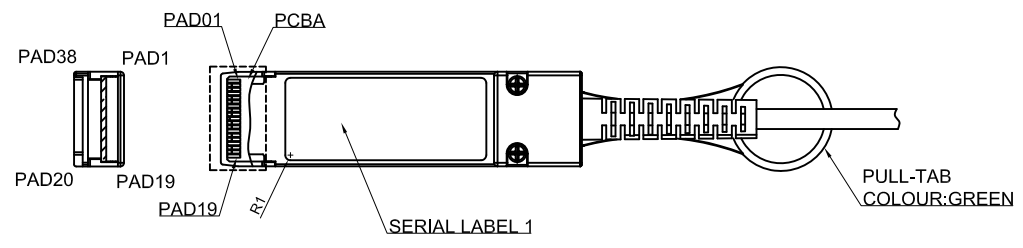
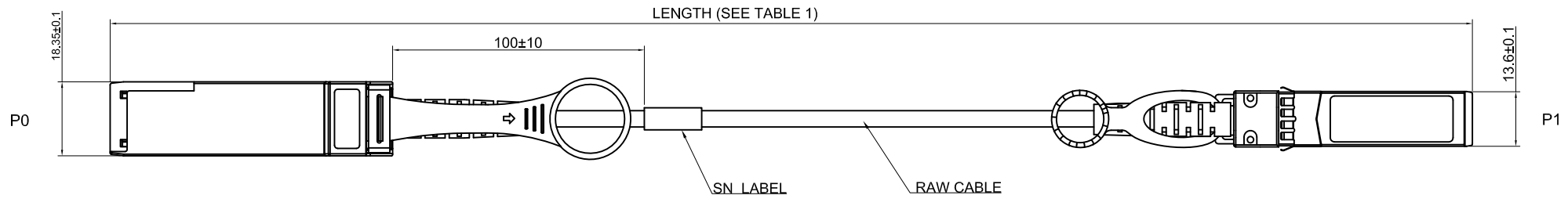


| REV. | CONTENT                                    | BY     |
|------|--|--------|
| 1.2  | Modify SN label position, from SFP to QSFP | Tyrone |
| 1.3  | CHANGE THE BEND RADII                      | Fan    |



- NOTES:
- CABLE DISTANCE DEPENDENCE ON WIRE GAUGE DATA RATE,AND HOST BOARD DRIVER CAPABILITIES .
  - MATERIALS:
    - BACKSHELLS: ZINC DIE CAST WITH BRIGHT NICKEL PLATING
    - DE-LATCH: STAINLESS STEEL WITH OVER MOLDED NYLON
    - SCREW: STAINLESS STEEL
    - CABLE: SOLID SILVER PLATED COPPER. 2 INDIVIDUAL SHIELDED PAIRS WITH 4 SHIELDED OVERALL (JACKET COLOR: BLACK)
    - PCB: FR4,(AC COUPLING)
  - IMPEDANCE-100 OHMS DIFFERENTIAL
  - TWO-WIRE SERIAL MEMORY: EEPROM(256BYTES),DIGITAL MONITORING & CONTROL FUNCTION AND MEMORY PAGE NOT SUPPORTED.
  - THIS PRODUCT MEETS THE RESTICTION OF HAZARDOUS SUBSTANCES IN ELECTRICAL AND ELECTRONIC REQUIREMENTS (ROHS)
  - COMPLIANT TO INDUSTRY STANDARDS:SFP+MSA SFF-8431 AND QSFP+ SFF-8436

| X. ±0.2   | X° ±2°      | UNITS<br>mm | NAME(CUSTOMER USE) | <br>10GTEK TRANSCEIVERS CO., LTD   |                       |       |      |     |     |     |
|---|-------------|-------------|--------------------|--|-----------------------|-------|------|-----|-----|-----|
| .X ±0.1   | X° ±1.5°    | MAT'L       | PRODUCT NO.        |  |                       |       |      |     |     |     |
| .XX ±0.1  | XX° ±1°     | FINISH      | SEE TABLE 1        | TITLE:<br>QSFP-SFP+ PASSIVE CABLE ASSEMBLY   |                       |       |      |     |     |     |
| .XXX ±0.03  | .XXX° ±0.5° |             | QTY                | APPD: NICKY  | DWG NO:<br>W-R&D-P086 |       |      |     |     |     |
| THESE DRAWING AND SPECIFICATIONS ARE THE PROPERTY OF 10GTEK TRANSCEIVERS CO.,LTD. AND SHALL NOT BE REPRODUCED COPIED OR USED IN ANY MANNER WITHOUT THE PRIOR WRITTEN CONSENT OF 10GTEK TRANSCEIVERS CO.,LTD |             |             | CHKD: TYRONE       | <table border="1"> <tr> <th>SCALE</th> <th>SHEET</th> <th>REV.</th> </tr> <tr> <td>1:1</td> <td>1/2</td> <td>1.3</td> </tr> </table> | SCALE                 | SHEET | REV. | 1:1 | 1/2 | 1.3 |
|   |             |             | SCALE              |  | SHEET                 | REV.  |      |     |     |     |
| 1:1   | 1/2         | 1.3         |                    |  |                       |       |      |     |     |     |
|   |             |             | DR: FAN            |  |                       |       |      |     |     |     |

4

3

2

1

TABLE 1

| ITEM | 10GTEK P/N              | DESCRIPTION   | LENGTH    | CABLE AWG |
|------|-------------------------|---|-----------|-----------|
| 1    | CAB-QSFP/SFP-P1M-00-1-2 | QSFP to SFP+ Copper Twinax Cable Assembly, 1m, AWG30, Passive | 1000±20mm | 30AWG     |
| 2    | CAB-QSFP/SFP-P3M-00-1-2 | QSFP to SFP+ Copper Twinax Cable Assembly, 3m, AWG30, Passive | 3000±20mm | 30AWG     |
| 3    | CAB-QSFP/SFP-P5M-00-3-2 | QSFP to SFP+ Copper Twinax Cable Assembly, 5m, AWG24, Passive | 5000±90mm | 24AWG     |
| 4    | CAB-QSFP/SFP-P7M-00-3-2 | QSFP to SFP+ Copper Twinax Cable Assembly, 7m, AWG24, Passive | 7000±90mm | 24AWG     |

CABLE CONNECTION

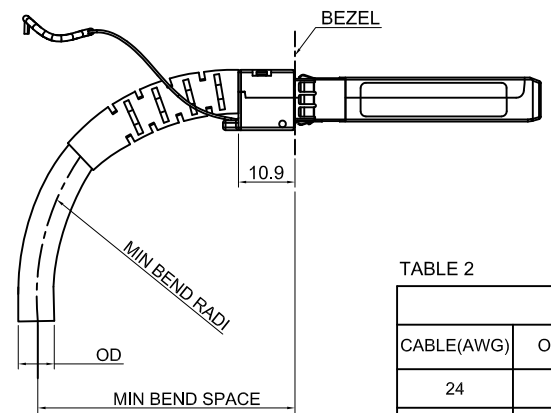
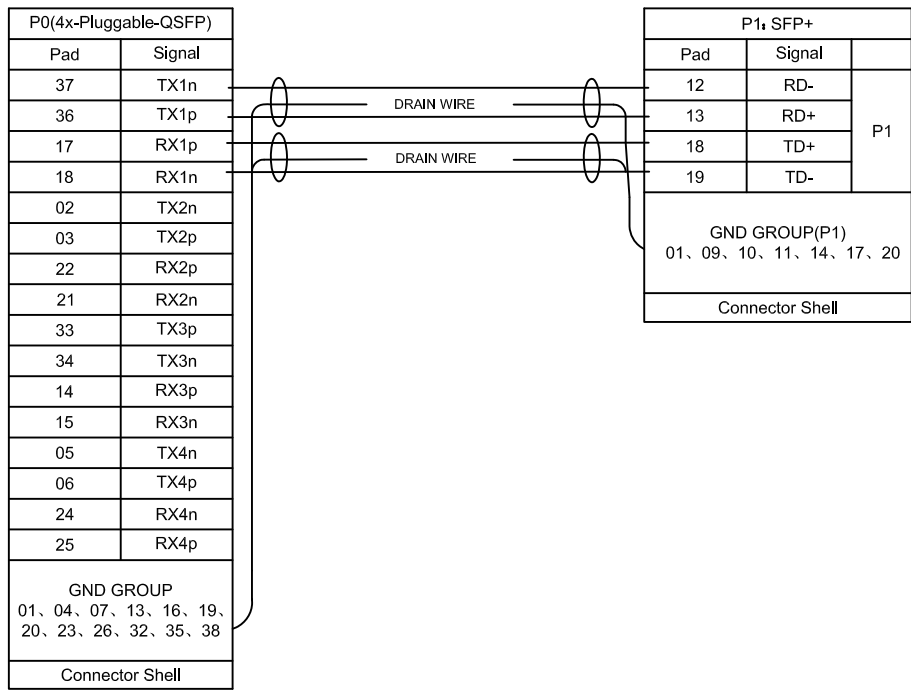


TABLE 2

| BEND RADII |        |                    |                |
|------------|--------|--------------------|----------------|
| CABLE(AWG) | OD(mm) | MIN BEND RADII(mm) | MIN BEND SPACE |
| 24         | 6.30   | 31.50              | 42.40          |
| 30         | 4.20   | 21.00              | 31.90          |

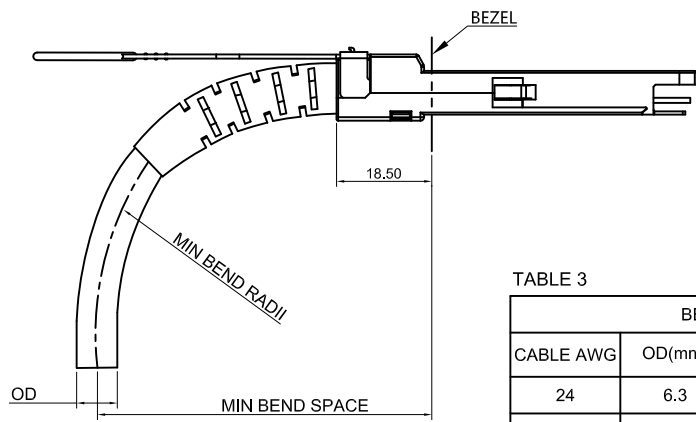


TABLE 3

| BEND RADII |        |                    |                |
|------------|--------|--------------------|----------------|
| CABLE AWG  | OD(mm) | MIN BEND RADII(mm) | MIN BEND SPACE |
| 24         | 6.3    | 31.5               | 50.0           |
| 30         | 4.2    | 21.0               | 39.5           |

|   |             |             |                    |   |
|---|-------------|-------------|--------------------|---|
| X. ±0.2   | X° ±2°      | UNITS<br>mm | NAME(CUSTOMER USE) | 10Gtek<br>10GTEK TRANSCEIVERS CO., LTD            |
| .X ±0.1   | X° ±1.5°    | MAT'L       | PRODUCT NO.        |   |
| .XX ±0.1  | XX° ±1°     | FINISH      | SEE TABLE 1        | TITLE: QSFP-SFP+ COPPER<br>PASSIVE CABLE ASSEMBLY |
| .XXX ±0.03  | .XXX° ±0.5° |             | QTY                | APPD: NICKY                                       |
| THESE DRAWING AND SPECIFICATIONS ARE THE PROPERTY OF 10GTEK TRANSCEIVERS CO.,LTD. AND SHALL NOT BE REPRODUCED COPIED OR USED IN ANY MANNER WITHOUT THE PRIOR WRITTEN CONSENT OF 10GTEK TRANSCEIVERS CO.,LTD |             |             | CHKD: TYRONE       | SCALE SHEET REV.<br>1:1 2/2 1.3                   |
|   |             |             | DR: FAN            |   |
|   |             |             |                    |   |

4

3

2

1